



Countertop Commercial Gas Hot Plate

Model	Burners
IRHP-12-2B	2
IRHP-24-4B	4
IRHP-36-6B	6

STANDARD FEATURES

Construction

- Stainless steel front and sides
- 4" adjustable non skid stainless steel legs
- Removable, easy to clean full width stainless grease catch pan
- All grates are removable for easy cleaning

Hot Plate Features

- Easy to clean, lift off top
- High performance and efficient cast iron burners giving off 25,000 BTU/burner
- Extended cool to touch front edge

Control

- Large temperature knobs with set screws
- Individual pilot lights with front access
- LPG conversion kit included
- Warranty: 1 year parts and labor



SPECIFICATIONS

With 25,000 BTU high heat per burner, the Iron Range Countertop Gas Range is a commercial range without an oven. The burners give you the maximum in gas range features, removable burners with the top half of the burner that separates for cleaning, and a pilot that lights each burner. Heavy-duty cast iron grates are also removable for easy cleaning.

A large control knob for each burner gives you a comfortable feel when turning burners on and off all day. Units are shipped for natural gas but are easily converted to LPG (propane) gas with the LPG conversion kit that is included.

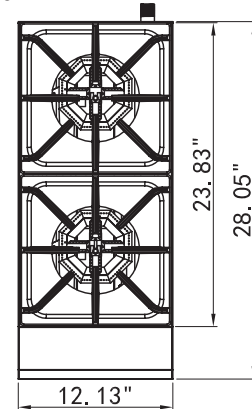
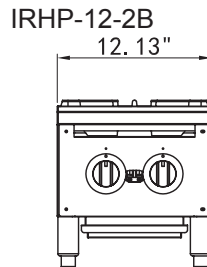
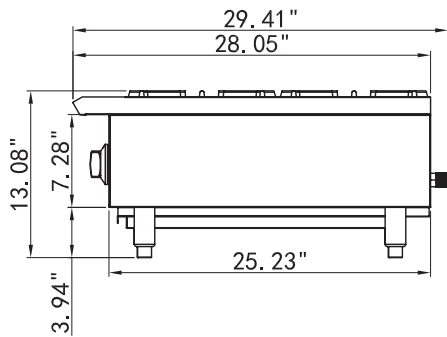
All Countertop Gas Hot Plate carry ETL approval for gas and sanitation that pass USA requirements for use in food service.



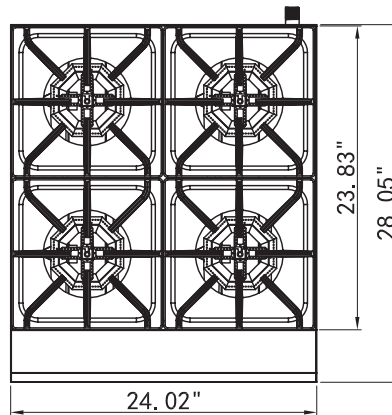
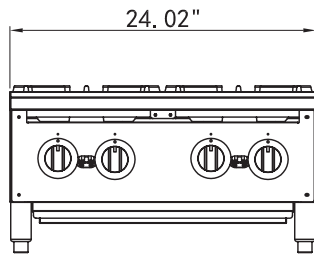


Important Information:

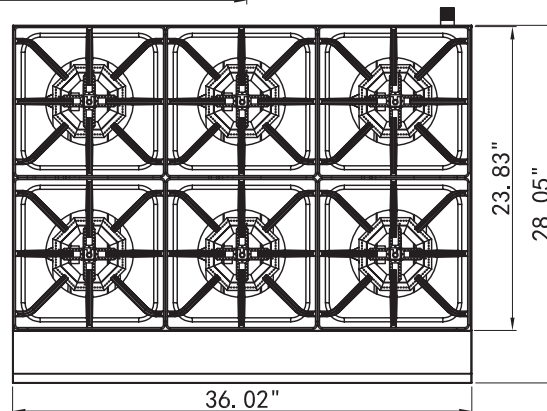
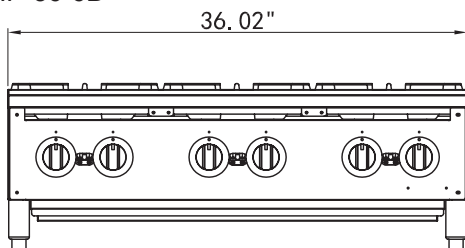
- A convertible pressure regulator is provided with this unit.
Natural Gas 4.0" (102 mm) W.C.
Propane Gas 10.0" (279 mm) W.C.
- Gas connection is 3/4" NPT (19mm) rear gas connection is required.
- All equipment is supplied for Natural Gas, an LPG conversion kit is also provided.



IRHP-24-4B



IRHP-36-6B



Model	Burners	Dimensions			BTU's (per burner)	Total BTU's	Crated Weight (lbs)
		W	D	H			
IRHP-12-2B	2	12	28.05	13	25,000	50,000	86
IRHP-24-4B	4	24	28.05	13	25,000	100,000	168
IRHP-36-6B	6	36	28.05	13	25,000	150,000	243

Specifications are subject to change without notice.

