

# Mandatory markings:

Below are examples of the rating plates that must be fixed to the rear of the unit on completion of the conversion by the installer.

**Iron Range Co**  
**Phone: 800-228-7253**

Stock pot burner

Model: IRSP-1B Gas Type:LP (propane) Gas Manifold Pressure:10<sup>2</sup> WC

Orifice Size: 1.95mm# Drill Input:80 000BTU Max.Pressure:13<sup>2</sup> WC


Serial:..... Made in


China Fabrique aux La

China Hecho en China


For warranty service 866-359-7378

Intended for other than household use - Non destiné à l'usage domestique





Conforms to ANSI  
STD Z83.11-2016  
Certified to CSA STD  
US 1.8-2016



Conforms to  
NSF/ANSI STD.4

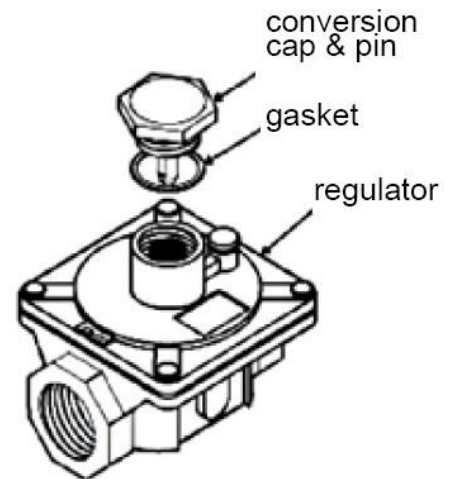


fig. 1 Gas pressure regulator

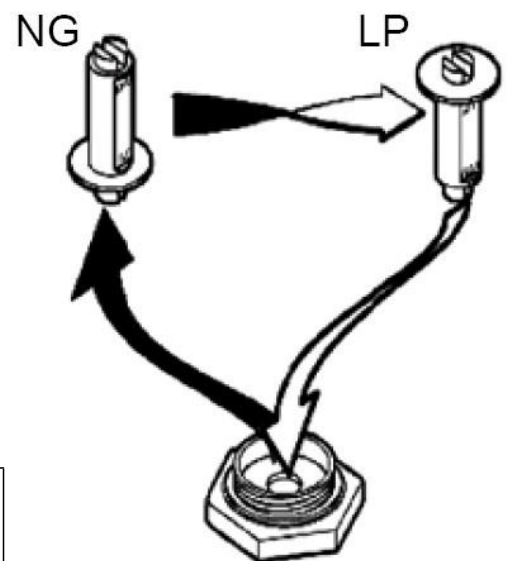


fig. 2 Conversion

## Example A Rating plate

**CONVERSION BY QUALIFIED SERVICE AGENCY**

THIS APPLIANCE WAS CONVERTED ON :

day \_\_\_\_\_ month \_\_\_\_\_ year \_\_\_\_\_

To LPG gas with KIT # : \_\_\_\_\_

By : company name \_\_\_\_\_

address : \_\_\_\_\_

\_\_\_\_\_

\_\_\_\_\_

Which accepts the responsibility that this conversion has been properly made

## Example B Installation plate

LPG

GPL

CLEARANCES  
ESPACES LIBRES

FOR LP GAS WHEN EQUIPPED WITH NO53 DRILL SIZE ORIFICE  
 POUR LP GAZ LORSQU'ÉQUIPÉ AVEC UNE OUVERTURE  
 DE TAILLE DE MECHE NØ3

MAN.PRESS  
PRESS.MAN

10.0

INCH W.C.

BTU CONSUMMATION  
/HR

80000

BTU INPUT/HR

BACK ARRIÈRE	6"
RT SIDE COTE DROIT	6"
LT SIDE COTE GAUCHE	6"

**FOR USE IN NON COMBUSTIBLE LOCATIONS ONLY**

DOIT ETRE UTILISE SEULEMENT DANS DES LOCAUS NON INFLAMMABLES

COMPLIES WITH ANSI STD Z83.11.2016, CSA STD 1.8.2016, FOOD SEVERICE EQUIPMENT

For your safety refer to installation instructions for conversion procedure

## Example C warning label fixed to side of the unit

# INSTRUCTIONS FOR FIELD CONVERSION TO LPG GAS :

This instruction covers the following models

## Stock pot burner

IRSP-1B, IRSP-2B

**Please refer to specific instructions for each model range**

### **WARNING:**

Improper installation, adjustment, alteration, service or maintenance can cause property damage, injury or death. Read the installation, operating and maintenance instructions thoroughly before installing or servicing equipment.

### **WARNING**

This conversion kit shall be installed by a qualified service agency in accordance with the manufacturer's instructions and all applicable codes and requirements of the authority having jurisdiction. If the information in these instructions is not followed exactly, a fire, an explosion or production of carbon monoxide may result causing property damage, personal injury or loss of life. The qualified service agency is responsible for the proper installation of this kit. The installation is not proper and complete until the operation of the converted appliance is checked as specified in the manufacturer's instructions supplied with the kit

MODELS	PARTS INCLUDES	
IRSP-1B	2xJet #1.95mm drill	1xinstallation plate
IRSP-2B	4xJet #1.95mm drill	1xinstallation plate

## Specific Instructions for STOCK POT BURNER:



**CAUTION:**  
**ENSURE THE GAS SUPPLY IS SHUT OFF AT THE  
MANUAL SHUT OFF VALVE BEFORE PROCEEDING  
WITH THE CONVERSION**

1. Switch off the gas at the main supply valve and allow the unit to cool down before commencing with the conversion.
2. Lift off the complete grate plate assembly to expose the burners and valves.
3. Remove the burners by loosening the fastening nuts located under the rear of the burner, lift the rear of the burner and slide backwards.
4. The brass orifice located on the end of the control valve may now be loosened and removed using a 1/2" wrench.
5. Replace with the new orifice from the conversion kit, first applying a small amount of jointing paste to the thread on the end of the valve, this will ensure a good gas tight seal.
6. Replace the burner by sliding the open end over the orifice and then locating the M5stud through the slot in the support bracket. Secure by replacing the M5 nut.
7. To operate with LP gas the regulator must be changed to operate at 10" WC. (see fig.1) To do this remove the converter cap and pin from the regulator, remove the pin and insert then reinstall in the cap. Replace the cap on the regulator taking care that the gasket is in place on the cap.
8. Prior to connecting the regulator, check the incoming line pressure, as the regulators can only withstand a maximum pressure of 1/2 PSI (14" WC). If the line pressure is beyond this limit, a step-down regulator will be required. The arrow forged into the bottom of the regulator body shows gas flow direction and should point down stream to the appliance.
9. Check for Gas Leaks- A soapy water solution is recommended for locating gas leakage. Matches, candle flame or other sources of ignition shall not be used for this purpose.
10. Replace the loose fitting grate plate assembly into position.

11. Fix the conversion rating plate supplied in the kit adjacent to the original rating plate on the rear of the unit. Fill in the details required on the installation plate and fix to the rear of the unit

### **Setting the pilot burner:**

When changing from natural gas to LPG it is necessary to adjust the pilot burner flame as well. This is done in the following steps:

1. Remove the control knobs from the front of the unit. Loosen the screws holding the front panel and remove.
2. The pilot burner valve is positioned to the right of the control valve, a small adjustment screw is located on the front face of the valve body this can be turned in or out with a small flat screwdriver.
3. Adjust the screw in small increments whilst the pilot flame is burning until a small stable flame is achieved.
4. Replace the front panel and secure refit the control knobs.

## **Instruction for normal operating sequence:**

### **PILOT BURNER OPERATION:**

The units are equipped with standing pilots and should be lit immediately after the gas is turned on. Turn off main valve to unit and wait 5 minutes to clear gas. Turn off all knobs and pilot valves. Turn on main valve and light all pilots. The pilot burner must be lit at the end of the tube. Hold an ignition source through the opening in the front panel at the pilot tube. When the flame is established remove ignition source.

### **BURNER OPERATION:**

To ignite burners, turn burner valve knob to 'High' position. Each burner is controlled by an individual high-lower-o valve. An infinite number of grilling temperatures may be obtained by turning the burner valve knob to any position between high and low.

### **Derating at altitudes above 2000 ft (610m):**

Ratings of gas utilization equipment are based on sea level operation and shall not be changed for operation at elevations up to 2000 ft (600m). For operation at elevations above 2000 ft (600 m) equipment ratings shall be reduced at the rate of 4 percent for each 1000 ft (300 m) above sea level before selecting appropriately sized equipment