



Countertop Commercial Gas Griddle Thermostatic Control

Model	Burners
IRTG-24	2
IRTG-36	3
IRTG-48	4



STANDARD FEATURES

Construction

- Stainless steel front, sides, and backsplash
- Double wall construction with insulated side panels
- 4" high backsplash and sidesplash fully welded to the griddle
- 4" adjustable non skid stainless steel legs
- Removable, easy to clean full width stainless grease catch pan - wide 3 1/4" front grease trough

Griddle Features

- 3/4" highly polished griddle plate provides even heat distribution
- Extended cool to touch front edge
- High performance and efficient stainless steel burners giving off 30,000 BTU/burner
- U-style burners provide flame every 6" on the griddle surface
- Temperature range from 200°F - 450°F

Control

- Large temperature knobs with set screws
- Individual pilot lights with front access
- LPG conversion kit included
- Warranty: 1 year parts and labor



SPECIFICATIONS

The efficient 3/4" griddle plate offers the thickness of even heat distribution and retention along with the Iron Range "quick on" that turns the burners on when the probes sense temperature drop. This gives you important quick temperature recovery when cooking. The result is faster cook times.

They are available in 24", 36" and 48" widths. Units are shipped for natural gas but are easily converted to LPG (propane) gas with the LPG conversion kit that is included.

All Griddles carry ETL approval for gas and sanitation that pass USA requirements for use in food service.

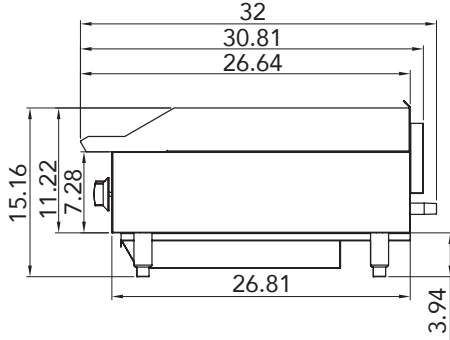




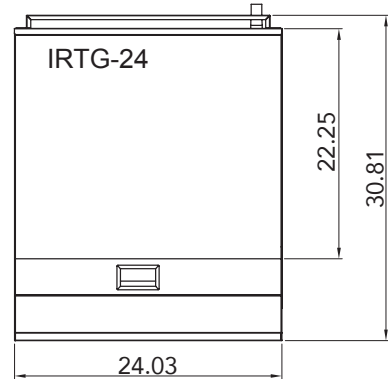
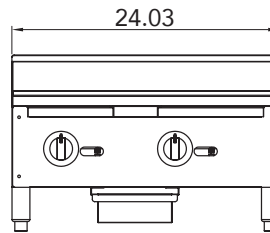
IMPORTANT INFORMATION:

- A convertible pressure regulator is provided with this unit.
Natural Gas 4.0" (102 mm) W.C.
Propane Gas 10.0" (279 mm) W.C.
- Gas connection is 3/4" NPT (19mm) rear gas connection is required.
- All equipment is supplied for Natural Gas, an LPG conversion kit is also provided.

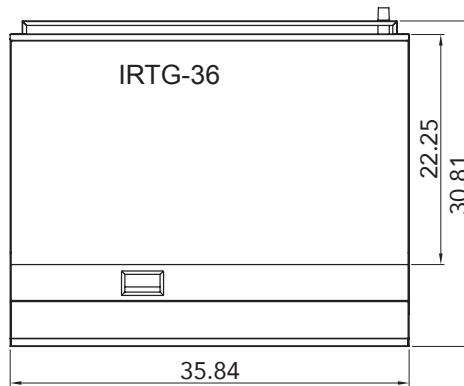
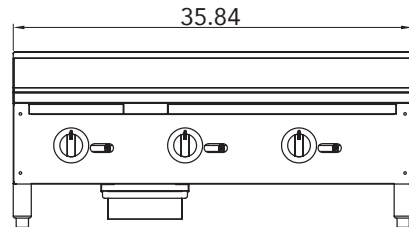
All Thermostatic Units



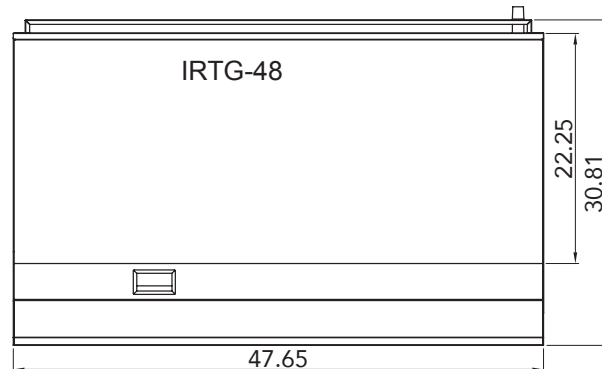
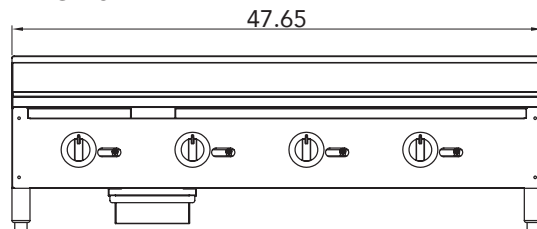
IRTG-24



IRTG-36



IRTG-48



Model	Burners	Cooking Area		Plate Thickness	Dimensions			BTU's (per burner)	Total BTU's	Crated Weight (lbs)
		L	W		W	D	H			
IRTG-24	2	21	24	3/4"	24.03	32	15.16	30,000	60,000	198
IRTG-36	3	21	36	3/4"	35.84	32	15.16	30,000	90,000	274
IRTG-48	4	21	48	3/4"	47.65	32	15.16	30,000	120,000	352

Specifications are subject to change without notice.

IRON RANGE COMPANY

Phone 800-228-7253 - Fax 847-498-0375 - www.ironrange.co

