



## Countertop Commercial Gas Griddle Manual Control

Model	Burners
IRMG-24	2
IRMG-36	3
IRMG-48	4



### STANDARD FEATURES

#### Construction

- Stainless steel front, sides, and backsplash
- Double wall construction with insulated side panels
- 4" high backsplash and sidesplash fully welded to the griddle
- 4" adjustable non skid stainless steel legs
- Removable, easy to clean full width stainless grease catch pan

#### Griddle Features

- 3/4" highly polished griddle plate provides even heat distribution
- Extended cool to touch front edge
- High performance and efficient stainless steel burners giving off 30,000 BTU/burner
- U-style burners provide flame every 6" on the griddle surface

#### Control

- Large temperature knobs with set screws
- Individual pilot lights with front access
- LPG conversion kit included
- Warranty: 1 year parts and labor

### SPECIFICATIONS

The efficient 3/4" griddle plate offers the thickness of even heat distribution and retention. The result is faster cook times, greater moisture retention, and a higher product yield so you serve a higher quality, moist product.

They are available in 24", 36" and 48" widths. Units are shipped for natural gas but are easily converted to LPG (propane) gas with the LPG conversion kit that is included.

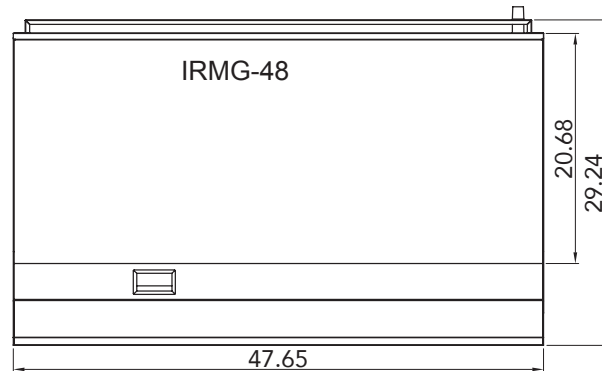
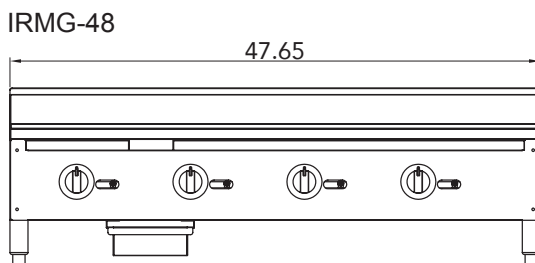
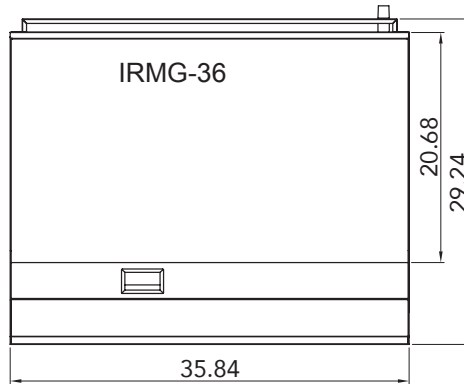
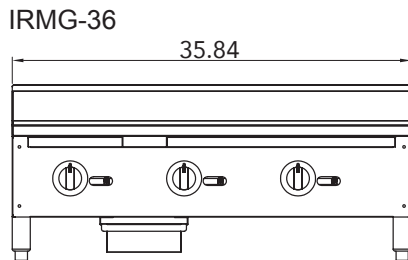
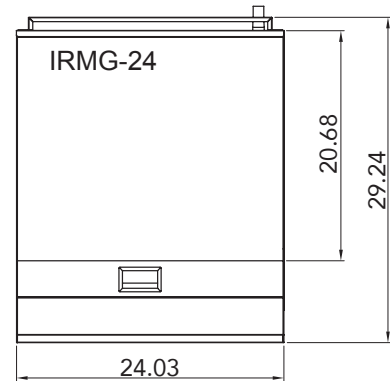
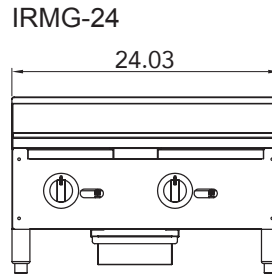
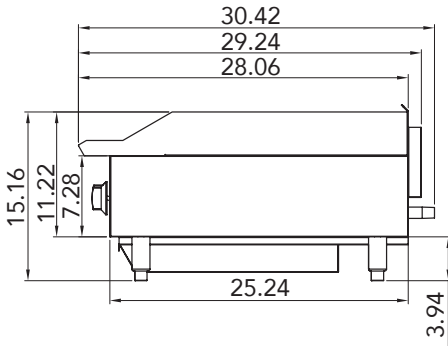
All Griddles carry ETL approval for gas and sanitation that pass USA requirements for use in food service.



### IMPORTANT INFORMATION:

- A convertible pressure regulator is provided with this unit.  
Natural Gas 4.0" (102 mm) W.C.  
Propane Gas 10.0" (279 mm) W.C.
- Gas connection is 3/4" NPT (19mm) rear gas connection is required.
- All equipment is supplied for Natural Gas, an LPG conversion kit is also provided.

All Manual Units



Model	Burners	Cooking Area		Plate Thickness	Dimensions			BTU's (per burner)	Total BTU's	Crated Weight (lbs)
		L	W		W	D	H			
IRMG-24	2	21	24	3/4"	24.03	30.42	15.16	30,000 x 2	60,000	198
IRMG-36	3	21	36	3/4"	35.84	30.42	15.16	30,000 x 3	90,000	274
IRMG-48	4	21	48	3/4"	47.65	30.42	15.16	30,000 x 4	120,000	352

Specifications are subject to change without notice.

